

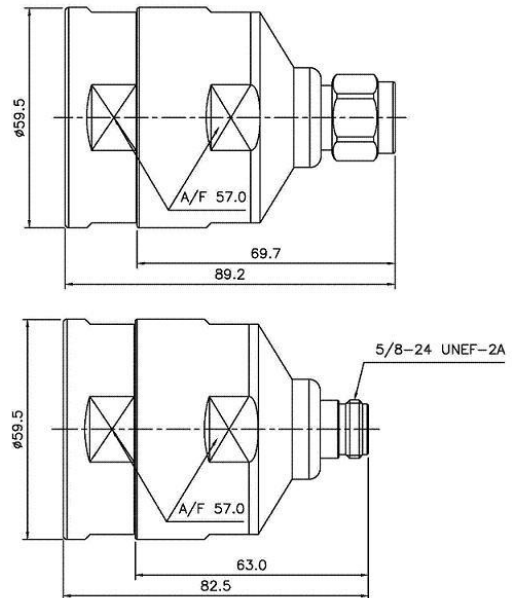
Product Spec Sheet

N Connector for 1-5/8" Radiating Cable



Model : CRL J1 42NM (Male), CRL J1 42NF (Female)

Features



Specification

Item	Model. CRL J1 42NM / CRL J1 42NF	
Transmission Line Type	Radiating Coaxial Cable	
Cable Size	1 5/8"	
Cable Type	RFCL-FR/RFCL-FR-SS 42D	
Mating Interface	N Type	
Sealing Method	Silicone O-ring	
Gender	M (male) / F (female)	
Frequency	DC ~ 2.2GHz	
Return Loss	@75 ~ 2,200MHz	$\geq 19.1\text{dB}$ (VSWR =1.25)
DTF	1.10 Max	
Impedance	$50\pm 2\Omega$	
Insertion Loss	@75 ~ 2,200MHz	$\leq 0.1\text{dB}$
IMD (20W x 2-tone)	$\geq 150\text{ dBc}$	
Insulation Resistance	$\geq 5,000\text{M}\Omega$	
Contact Resistance	Inner Contact $\leq 2\text{m}\Omega$	
	Outer Contact $\leq 3\text{m}\Omega$	
Temperature Range	$-40 \sim +85^\circ\text{C}$	
Waterproof	IP68	